

FIG 1. 4-Wire, 3-Phase WYE Meter (Types A, C & D) With RS-232 or RS-485 Installation Diagram
 NOTE: If Used in 2- OR 3-Wire Systems, Power Must be Connected to L1. (Type A Voltages Shown.)

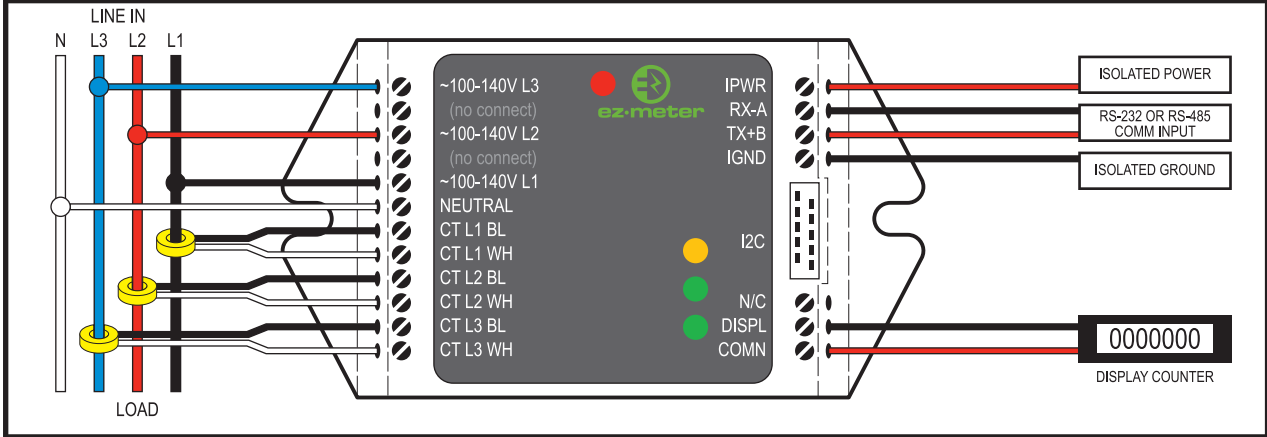


FIG 2. 4-Wire, 3-Phase Delta Meter (Type B & E)
 NOTE: High (Stinger) Leg Must be Connected to L3.

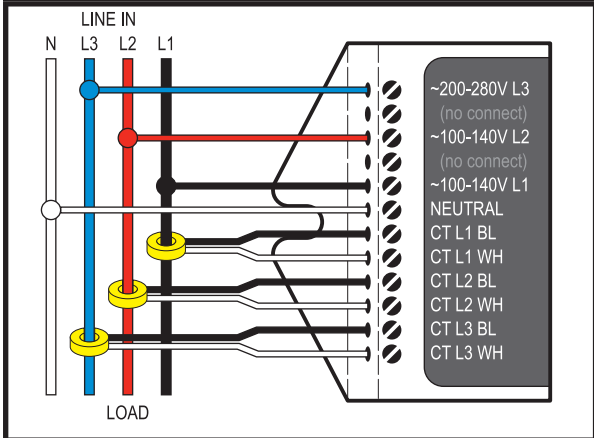


FIG 3. 3-Wire, Single-Phase Meter (Type A & E)
 NOTE: Any One or Two Legs of 3 Φ Power May be Used as Long as Power is Connected to L1 to Power Meter.

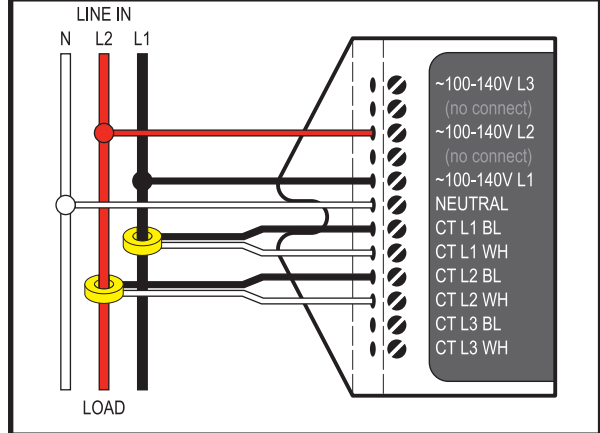


FIG 4. 3-Wire, 3-Phase Delta Meter (Type F & G).

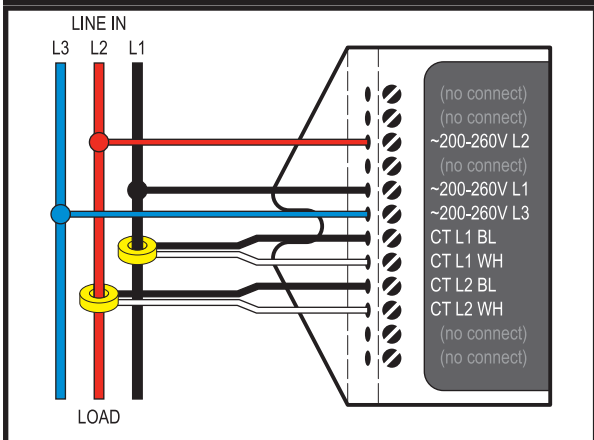


FIG 5. 2-Wire, Single Phase (Type F & G)

