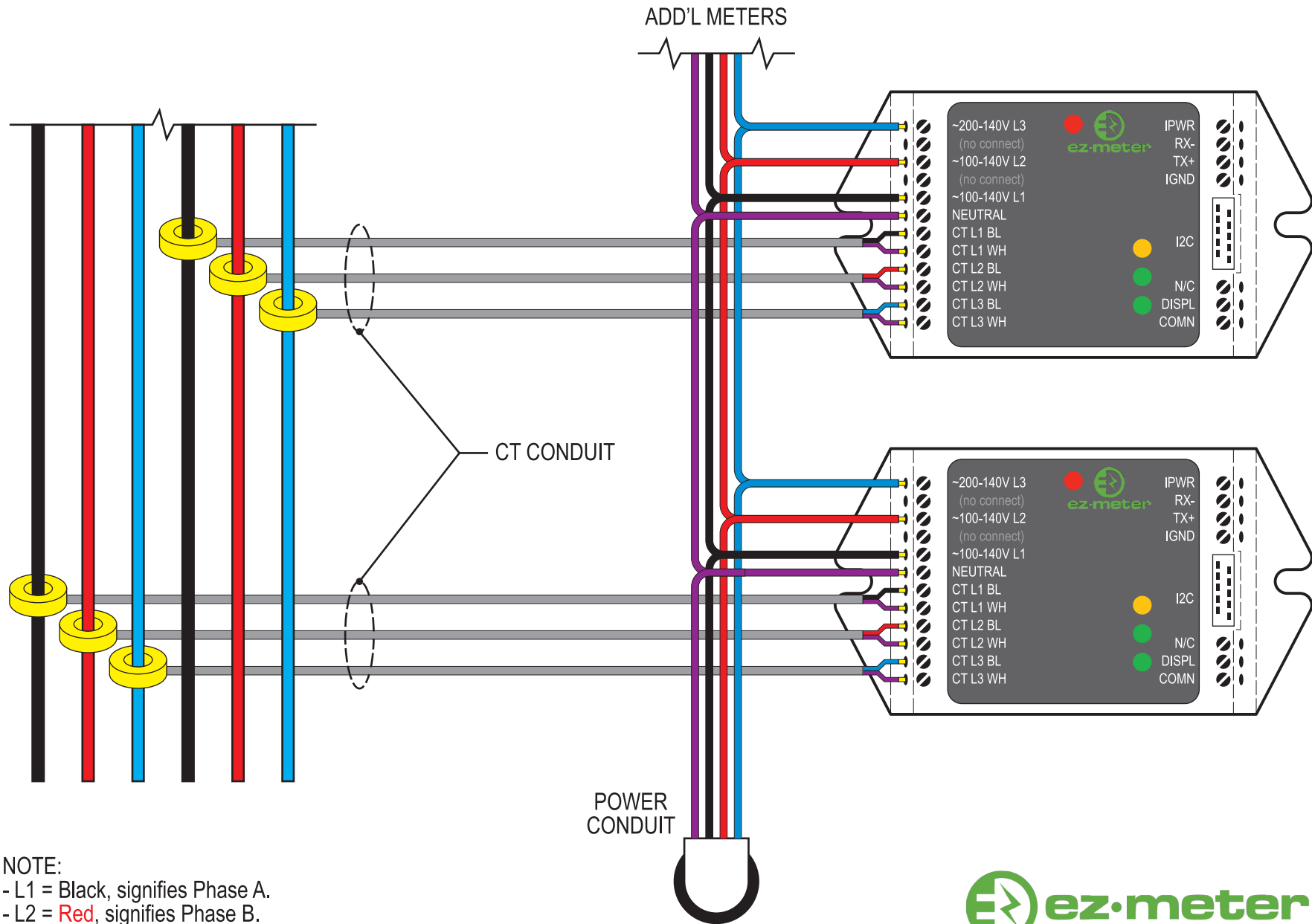


METER DAISY-CHAINING DIAGRAM



NOTE:

- L1 = Black, signifies Phase A.
- L2 = Red, signifies Phase B.
- L3 = Blue, signifies Phase C.
- CT = Gray signifies jacket. Wires color-coded per phase.
- Neutral = Purple for clarity, but typically white.
- Always connect L1 first (no matter which 2 lines you are using) as the meter needs a small amount of power to operate.



EZ Meter Technologies
 11030 Cochiti Rd SE
 Albuquerque, NM 87123
 1-805-688-9696 or 1-800-824-9696