



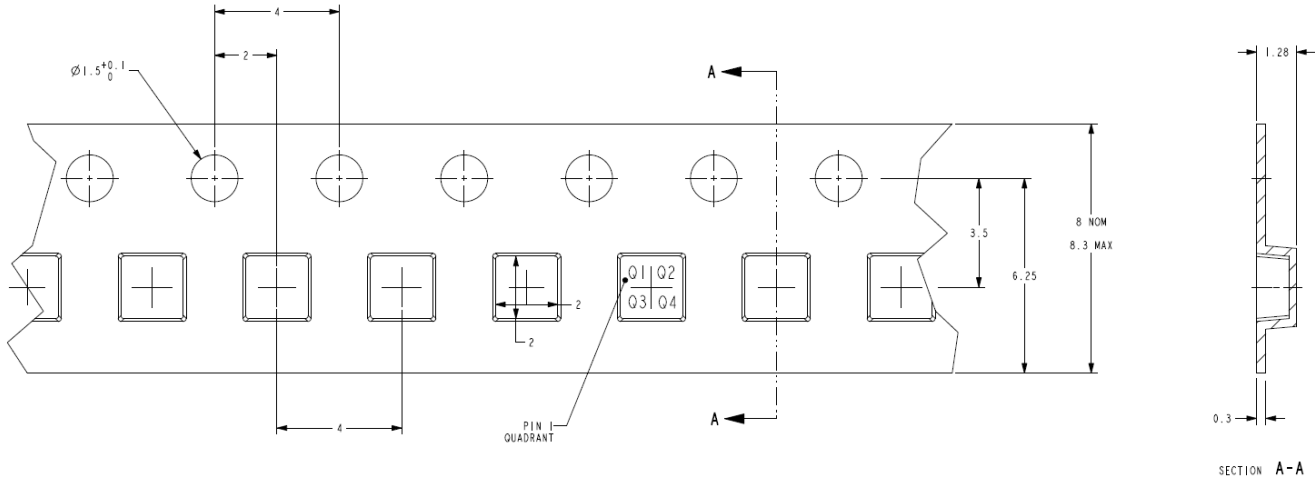
# Packaging

## Tape and Reel Specification

Carrier Tape : **TekPak CT-8x4-2.00-2.00-1.28X150**

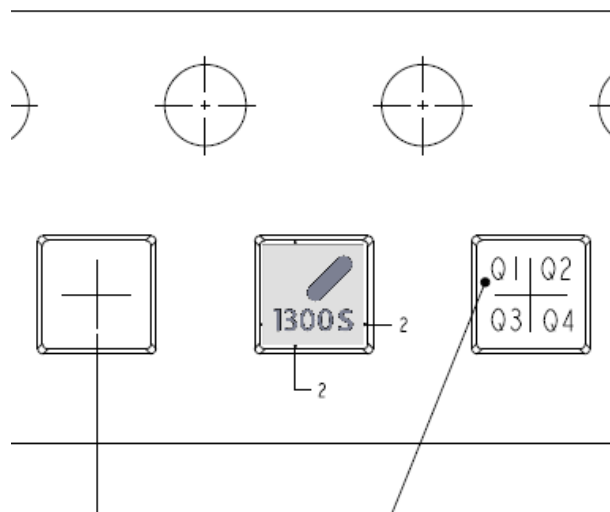
Cover Tape : **3M Cover Tape 2666**

Leader Length : **20"** Trailer Length : **8"** Reel Diameter : **7"**



### Part Orientation in Tape Pocket :

Orientation feature (Stripe or Dot) located in quadrant 2 (Q2). (AT-1300-S shown)



*Note that the information on this data sheet is for reference only.*

*As each application may have unique requirements, please verify the specifications as well as suitability of using our products in your applications by consulting our engineering department.*

Rev 190618